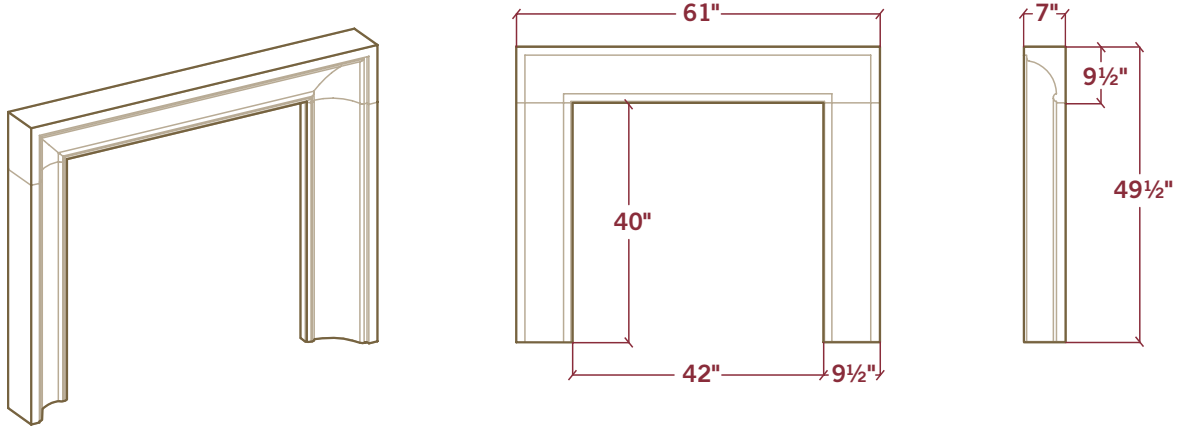


THE **SOHO BOUTIQUE™**

D I M E N S I O N S



Trim Panels: 1 @ 5" x 42" & 2 @ 5" x 35"



As the name implies, The Soho "Boutique" is smaller in scale, yet its clean lines imply a sense of luxury and timeless style.

Please contact us at **800.925.1491** for any questions regarding a

Fireplace Surround. Our experienced team can assist you with questions ranging from product information, installation and design recommendations. We also encourage you to explore our website at **[www.amsfireplace.com](http://www.amsfireplace.com)**

All  
Fireplace Surrounds  
Ship Complete with the  
Following Contents:

- Stone Mantel & Legs
- Ledger Board & Screws for Easy Install
- 3 Trim Panels with "matching color/finish"
- Large Tube of Color-Matched Caulking
- 3 oz Bottle of Color Wash for Touch-Ups
- Large Tube of Adhesive
- Shims

*Each Surround Ships Pre-Sealed*

**AMS**  
Fireplace inc.

*Fireplaces Forged with the Heritage of Craftsmanship™*